

The **Norbulb NF5** mm glass bulb is a thermal release element for fire protection applications. The enclosed fluid will expand with rising temperature, increasing the internal pressure until the glass bulb bursts into small particles at the defined operating temperature.

The **NF5** mm glass bulb is designed to meet the requirements of VdS and ISO Special Response sprinkler applications. It is available in all common temperature ratings. The actuation temperature is within $\pm 3.5\%$ of the nominal temperature ($^{\circ}\text{F}$).

Colour Code	Nominal Temperature*	
	Celsius	Fahrenheit
Orange	57°C	135°F
Red	68°C	155°F
Yellow	79°C	175°F
Green	93°C	200°F
Blue	141°C	286°F

* further temperatures on request

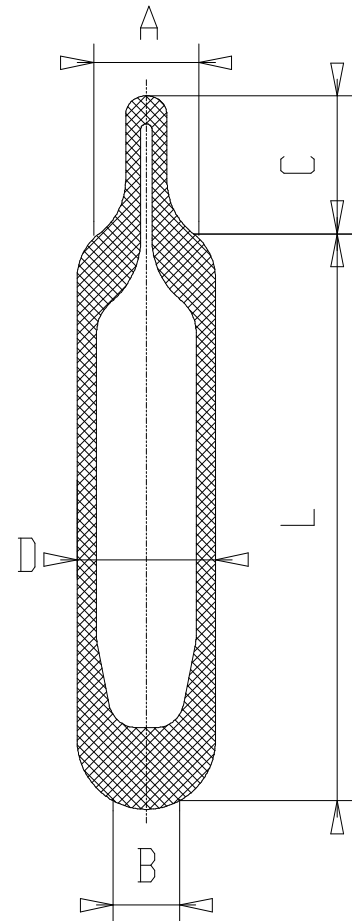
The internally reinforced ends, conical reduced towards the mid-section, allow a smooth transition of high assembly forces directly into the shaft. This novel design makes the **NF5** mm glass bulb extremely strong and robust

Strength*	kN		lb	
	regular	XS	regular	XS
Average >	4.0	5.5	880	1200
LTL >	2.0	4.0	440	880

*minimum values

The filling fluids used in our **NF5** mm glass bulbs are patented (US Patent No. 5,890,543) and result in a precise Special Response performance.

RTI_c [$c = 0,5(\text{m/s})^{1/2}$]	$65 (\text{ms})^{1/2}$	$115 (\text{fts})^{1/2}$
---	------------------------	--------------------------



Do not scale

Dimensions	mm	inch
Diameter D	5.0	.197
Length L	19.5-20.5	.768-.807
Capillary C	max 4.0	max .157
Seat dia. A	3.8	.150
Seat dia. B	2.5	.098

The glass bulbs allow a safe self-aligning assembly and are compatible with all current seat designs. Technical Specification data for reference only. Right for alterations reserved.

