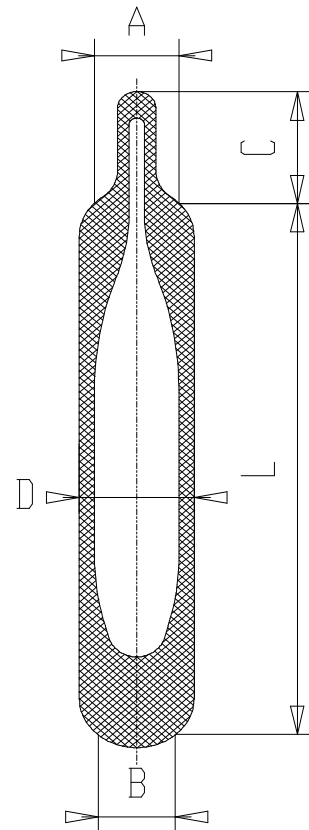


The **Norbulb N3x16** mm glass bulb is a thermal release element for fire protection applications. The enclosed fluid will expand with rising temperature, increasing the internal pressure until the glass bulb bursts into small particles at the defined operating temperature.

The **N3x16** mm glass bulb is designed to meet all Fast Response requirements of UL, FM, LPCB, VdS and TFRI for Residential, ELO, Extended Coverage, Concealed, Dry Pendent and other special sprinkler applications. It is available in all common temperature ratings. The actuation temperature is within  $\pm 3.5\%$  of the nominal temperature ( $^{\circ}\text{F}$ ).



Do not scale

Colour Code	Nominal Temperature*	
	Celsius	Fahrenheit
Orange	57°C	135°F
Red	68°C	155°F
Yellow	79°C	175°F
Green	93°C	200°F
Blue	141°C	286°F

\* further temperatures on request

The internally reinforced ends, conical reduced towards the mid-section, allow a smooth transition of high assembly forces directly into the shaft. This novel design gives the **N3** mm glass bulb a slender appearance, highly sensitive, yet strong and robust.

Strength*	kN		lb	
	regular	XS	regular	XS
Average >	3.5	4.5	770	990
LTL >	2.0	3.0	440	660

\* minimum values

The filling fluids used in our **N3x16** mm glass bulbs are patented (US Patent No. 5,890,543) resulting in a superior Fast Response performance.

RTI <sub>c</sub> [c = 0,5(m/s) <sup>1/2</sup> ]	33 (ms) <sup>1/2</sup>	59 (fts) <sup>1/2</sup>
---	------------------------	-------------------------

	mm	inch
Diameter <b>D</b>	3.0	.118
Length <b>L</b>	15.5-16.5	.610 - .650
Capillary <b>C</b>	max 4.0	max .157
Seat dia. <b>A</b>	2.2	.087
Seat dia. <b>B</b>	2.0	.080

The glass bulbs allow a safe self-aligning assembly and are compatible with all current seat designs. Technical Specification data for reference only. Right for alterations reserved.

