

The **Norbulb N5** mm glass bulb is a thermal release element for fire protection applications. The enclosed fluid will expand with rising temperature, increasing the internal pressure until the glass bulb bursts into small particles at the defined operating temperature.

The **N5** mm glass bulb is designed to meet the requirements of UL, FM, LPCB, VdS and TFRI for all Standard Response sprinkler applications. It is available in all common temperature ratings. The actuation temperature is within $\pm 3.5\%$ of the nominal temperature ($^{\circ}\text{F}$).

Colour Code	Nominal Temperature*	
	Celsius	Fahrenheit
Orange	57°C	135°F
Red	68°C	155°F
Yellow	79°C	175°F
Green	93°C	200°F
Blue	141°C	286°F
Mauve	182°C	360°F

* further temperatures on request

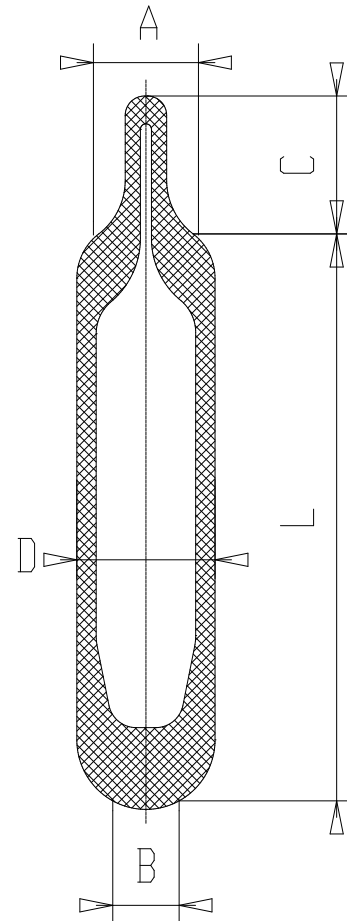
The internally reinforced ends, conical reduced towards the mid-section, allow a smooth transition of high assembly forces directly into the shaft. This novel design makes the **N5** mm glass bulb extremely strong and robust.

Strength*	kN		lb	
	regular	XS	regular	XS
Average >	4.0	5.5	880	1200
LTL >	2.5	4.0	550	880

* minimum values

The elegant design is free from unnecessary masses and gives our **N5** mm glass bulbs a slender appearance, sensitive - yet rugged.

RTI_c [c = 0,5(m/s) ^½]	90 (ms) ^½	162 (fts) ^½
--	----------------------	------------------------



Do not scale

Dimensions	mm	inch
Diameter D	5.0	.197
Length L	19.5-20.5	.768-.807
Capillary C	max 4.0	max .157
Seat dia. A	3.8	.150
Seat dia. B	2.5	.098

The glass bulbs allow a safe self-aligning assembly and are compatible with all current seat designs. Technical Specification data for reference only. Right for alterations reserved.

